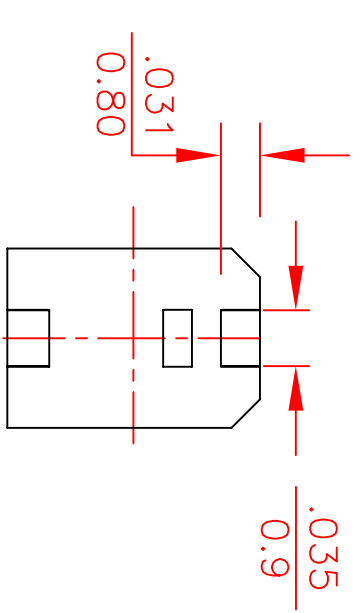
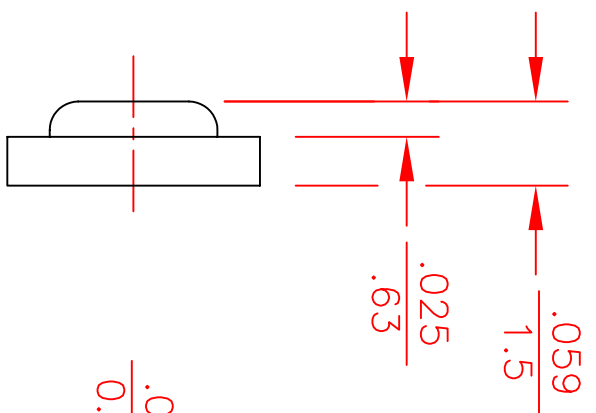
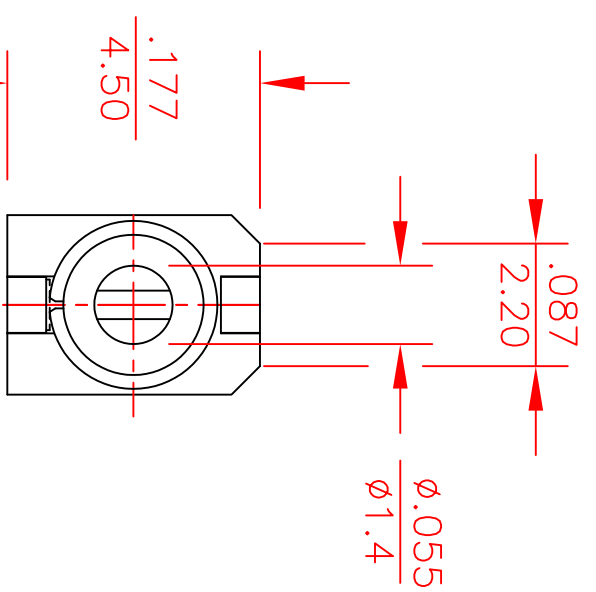
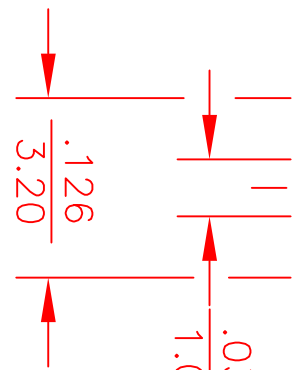


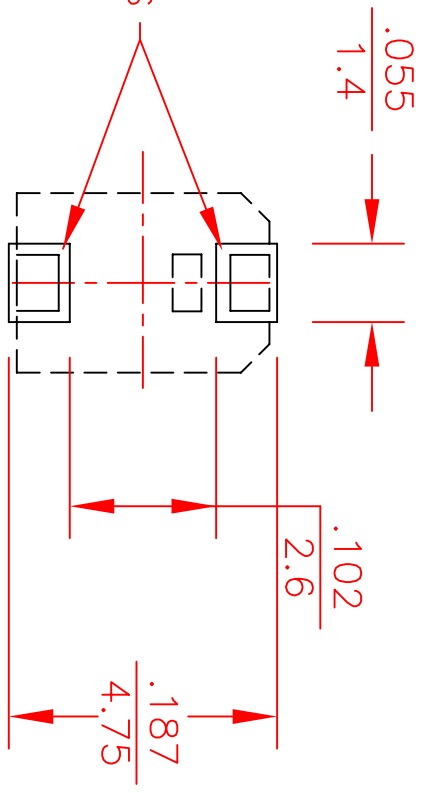
REV.	DESCRIPTION	DATE	APP.
00	NEW DWG.	9/29/06	S.G.



NOTES:  
1. ALL DIMENSIONS IN inches  
mm



SOLDERING PADS



SUGGESTED SURFACE MOUNT LAYOUT

RECOMMENDED THICKNESS OF SOLDER .0006  
0.15

PART NUMBER	SGCC3S030	SGCC3S060	SGCC3S100	SGCC3S200	SGCC3S300
COLOR CODE	BLACK	BLUE	IVORY	PINK	GREEN
Capacitance (pF min.) less than	1.2	2.2	3.0	5.5	8.0
Capacitance (pF max.) more than	3.0	6.0	10.0	20.0	30.0
Temperature coefficient (ppm/°C)	N470±60	N470±60	N1000±250	N1000±250	N1200±200
Q (at 1MHz and Cmax) over	300	500	500	500	500
Insulation resistance	10 <sup>4</sup> megohms				
Torque	0.14 to 1.0 oz-in / 10 to 72 gf-cm				
DC Working voltage	100 VDC	100 VDC	50 VDC	50 VDC	50 VDC
DC Withstanding voltage	220 VDC	220 VDC	110 VDC	110 VDC	110 VDC
Operating temperature °C	-40 to +85				
Self resonant frequency @ Cmax	2.0 GHz	1.5 GHz	1.3 GHz	0.8GHz	0.6 GHz

TOLERANCES: (EXCEPT AS NOTED)	SPRAGUE	GOODMAN	ELECTRONICS INC.
DECIMAL: xxx ±.016 in	1700 SHAMES DRIVE WESTBURY, NY 11590		
FRACTIONAL: ±.41 mm	MATERIAL:	SCALE 8:1	DRAWN BY: D.DITLYA
ANGULAR: 1/64	TITLE: OUTLINE DWG SGC3 PRODUCT LINE	DATE: 9/29/06	APPROVED: S.GRINBERG
	DRAWING NUMBER SGC3		Rev. 00